

A.F.O. PLUG (Axial Force Only)

The Lee A.F.O. Plug provides a leak-tight, metal to metal seal in high pressure/high temperature manifold applications. Designed to be both removable and reusable, the plug features a unique floating seal that self-aligns to allow for threaded holes that are not concentric with the thru-hole. Also, the seal does not rotate during installation, preventing galling of the seat.

The two piece assembly is constructed entirely of corrosion resistant stainless steel, and requires no O-rings or sealants. The plug can be used in hard materials as well as in softer materials such as aluminum or plastics.

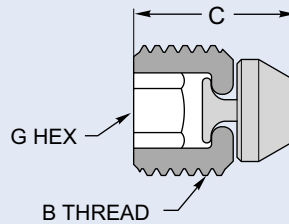
NACE Compatible Plugs

To meet the special demands of the oil and gas industries, NACE compatible A.F.O. Plugs are also available. These plugs conform to NACE MR0175/ISO 15156 and offer exceptional corrosion resistance and sealing performance in high pressure, high temperature applications. Specifications for NACE compatible A.F.O. Plugs are provided on the back of this page.

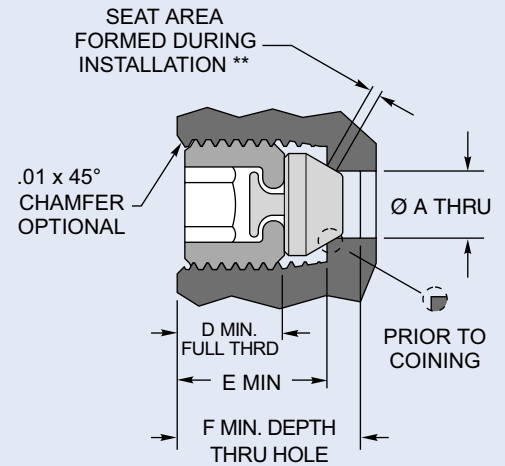
- Reusable – allows easy access to sealed passageways
- Seals to 56,000 psi
- Usable to 600°F
- All CRES construction – no sealants or O-rings
- Floating seal self-aligns – prevents galling
- Axial Force Only – Small Boss Size
- Custom designs considered



A.F.O. PLUG



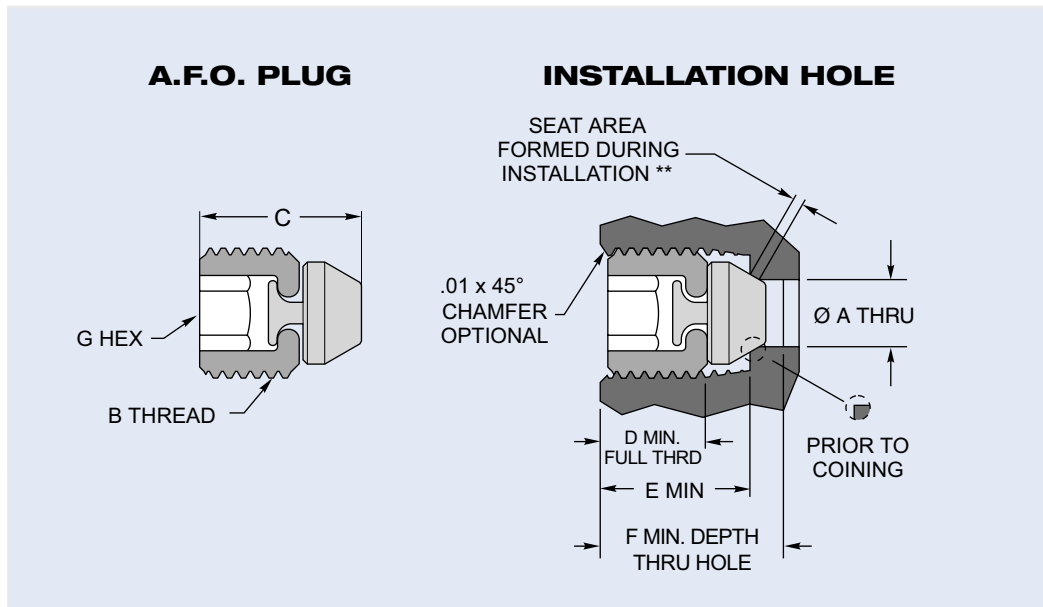
INSTALLATION HOLE



LEE PART NUMBER	DIMENSIONS (in inches)							PROOF PRESSURE (PSI)		** Coining Tool Part Number
	A	B	C	D	E ¹	F	G	Stainless Steel Housing	Aluminum Housing	
PLAA1932010A	.080 - .098	.190-32	.315	.190	.280	.360	.094	56,000	26,000	CUTA1900163A
PLAA2528010A	.098 - .156	.250-28	.365	.200	.330	.400	.125	56,000	26,000	CUTA2500163A
PLAA3124010A	.136 - .209	.312-24	.415	.235	.360	.450	.156	56,000	26,000	CUTA3120163A
PLAA3724010A	.187 - .276	.375-24	.455	.285	.410	.530	.187	54,000	24,000	CUTA3750163A
PLAA5020010A	.272 - .386	.500-20	.550	.320	.465	.620	.250	54,000	24,000	CUTA5000163A
PLAA6218010A	.384 - .500	.625-18	.630	.390	.580	.690	.312	50,000	20,000	CUTA6250163A
PLAA7516010A	.472 - .591	.750-16	.705	.430	.625	.780	.375	50,000	20,000	CUTA7500163A

¹ Dimension (E) will vary with changes to dimension (A).
 **Hard materials may require use of a Lee Coining Tool.

NACE Compatible A.F.O. PLUG



NACE Compatible A.F.O. Plug Specifications

LEE PART NUMBER	DIMENSIONS (in inches)							PROOF PRESSURE (PSI)		** Coining Tool Part Number
	A	B	C	D	E ¹	F	G	AISI 8630 Housing	Aluminum Housing	
PLAA1932020A	.080 - .098	.190-32	.315	.190	.280	.360	.094	56,000	26,000	CUTA1900163A
PLAA2528020A	.098 - .156	.250-28	.365	.200	.330	.400	.125	56,000	26,000	CUTA2500163A
PLAA3124020A	.136 - .209	.312-24	.415	.235	.360	.450	.156	56,000	26,000	CUTA3120163A
PLAA3724020A	.187 - .276	.375-24	.455	.285	.410	.530	.187	54,000	24,000	CUTA3750163A
PLAA5020020A	.272 - .386	.500-20	.550	.320	.465	.620	.250	54,000	24,000	CUTA5000163A
PLAA6218020A	.384 - .500	.625-18	.630	.390	.580	.690	.312	50,000	20,000	CUTA6250163A
PLAA7516020A	.472 - .591	.750-16	.705	.430	.625	.780	.375	50,000	20,000	CUTA7500163A

¹ Dimension (E) will vary with changes to dimension (A).

**Hard materials may require use of a Lee Coining Tool.

MATERIALS

PART	MATERIAL
Body and Nose	MP35N per NACE MR0175 / ISO 15156