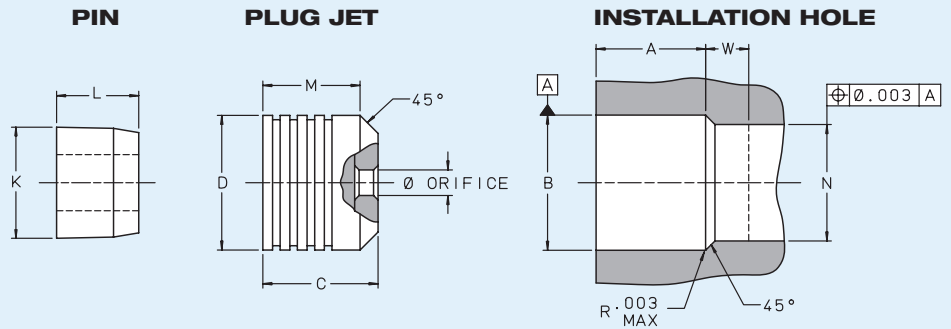


## LEE PLUG JET

The Lee Plug Jet is a simple, economical, yet highly reliable miniature restrictor. Available in three body sizes and 24 standard orifice diameters, it features Lee's field-proven controlled expansion principle that allows easy installation, provides retention and creates a leak-tight seal that prevents any by-pass leakage. To ensure accurate performance, the orifice of each Lee Plug Jet is machined to a  $+.002" / -.001"$  tolerance.

- Simple installation
- Bidirectional flow
- 100% guaranteed orifice diameter
- All stainless steel construction
- Maximum working pressure: 3,000 psid



PLUG JET DIMENSIONS (in.)						
NOMINAL INSERT DIAMETER	C NOMINAL LENGTH	D DIAMETER	K NOMINAL DIAMETER	L NOMINAL LENGTH	M NOMINAL LENGTH	NOMINAL WEIGHT (gram)
.125	.128	.1241 – .1250	.10	.09	.110	.17
.187	.160	.1866 – .1875	.15	.11	.135	.51
.250	.225	.2491 – .2500	.21	.16	.193	1.3

INSTALLATION HOLE DIMENSIONS (in.)				
NOMINAL INSERT DIAMETER	A MINIMUM DEPTH	B DIAMETER	N MAXIMUM DIAMETER	W MINIMUM LENGTH
.125	.125	.1250 – .1255	.093	.06
.187	.152	.1875 – .1880	.156	.06
.250	.212	.2500 – .2505	.218	.06

See reverse side for Part Numbers and Orifice Sizes.

# LEE PLUG JET

LEE PART NUMBERS			Ø ORIFICE (in.)
.125" Diameter	.187" Diameter	.250" Diameter	+ .002", - .001" Diameter
JEPA1253010A	JEPA1873010A	JEPA2503010A	.010
JEPA1253012A	JEPA1873012A	JEPA2503012A	.012
JEPA1253014A	JEPA1873014A	JEPA2503014A	.014
JEPA1253016A	JEPA1873016A	JEPA2503016A	.016
JEPA1253018A	JEPA1873018A	JEPA2503018A	.018
JEPA1253020A	JEPA1873020A	JEPA2503020A	.020
JEPA1253022A	JEPA1873022A	JEPA2503022A	.022
JEPA1253024A	JEPA1873024A	JEPA2503024A	.024
JEPA1253026A	JEPA1873026A	JEPA2503026A	.026
JEPA1253028A	JEPA1873028A	JEPA2503028A	.028
JEPA1253030A	JEPA1873030A	JEPA2503030A	.030
—	JEPA1873034A	JEPA2503034A	.034
—	JEPA1873038A	JEPA2503038A	.038
—	JEPA1873042A	JEPA2503042A	.042
—	JEPA1873046A	JEPA2503046A	.046
—	JEPA1873050A	JEPA2503050A	.050
—	JEPA1873055A	JEPA2503055A	.055
—	—	JEPA2503060A	.060
—	—	JEPA2503065A	.065
—	—	JEPA2503070A	.070
—	—	JEPA2503076A	.076
—	—	JEPA2503082A	.082
—	—	JEPA2503088A	.088
—	—	JEPA2503093A	.093